



GEN 5 180 OPERATORS MANUAL

Version 2.0



PLB Australasia Pty Ltd trading as Liquid Systems (SA)

www.liquidsystems.com.au

1. IMPORTANT INFORMATION

SAFETY & DAMAGE WARNINGS.....	1.1
IMPORTANT SAFETY INSTRUCTIONS	1.1

2. SPECIFICATIONS

ABOUT THE SYSTEM	2.1
HYDRAULICS	2.1
ELECTRICAL	2.1
MODULE INFORMATION.....	2.1
MODULE COMPONENTS	2.2
GEN 5 180 SYSTEM LAYOUT	2.3

3. PRE-OPERATIONAL CALIBRATION & TESTING

CHECK AND ADJUST PUMP SPEED	3.1
TEST OPERATION	3.1
CALIBRATE FLOWMETER	3.1

4. OPERATION & MAINTENANCE

OPERATE SYSTEM.....	4.1
MONITORING	4.1
CHECK PUMP OIL LEVEL.....	4.1
FLUSH SYSTEM (STATIC).....	4.2
FLUSH DISTRIBUTION SYSTEM (MANUAL).....	4.2
CHECK & CLEAN SUCTION FILTER.....	4.3
SHUTDOWN.....	4.3

5. REPLACEMENT PARTS

PUMP COMPONENTS.....	5.1
SELECTOR VALVES	5.1
SUCTION FILTER	5.2
VALVE SET COMPONENTS	5.3

SAFETY AND DAMAGE WARNINGS

WARNING, CAUTION and NOTE symbols are used throughout this manual to stress the importance of personal safety, potential machinery damage and useful operating information.

Symbol Descriptions shown below:



WARNING: Indicates the strong possibility of severe personal injury or damage to machinery if instructions are not followed.



CAUTION: Highlights hazards, unsafe or unwise practices which could cause personal injury, property damage, damage to your machinery or loss of potential crop yield if instructions are not followed



NOTE: Refers to important and useful information which should not be overlooked.

IMPORTANT SAFETY INSTRUCTIONS



WARNING:

Always wear protective gloves, eyewear and clothing when dealing with liquid fertilizers and other liquid agricultural products.

Do not disconnect any hose lines while the pump is running.

Ensure power is switched off or disconnected when connecting or disconnecting any electrical components of the system.

Always ensure the tank lid or a vent/overflow valve is open to allow air to escape when filling product tank.



WARNING: Use of phosphoric acid with this equipment will void the warranty.

ABOUT THE SYSTEM

The Pump & Control Module is designed to provide accurate, rate controlled variable application of liquid fertilizers & other crop care products.

HYDRAULICS

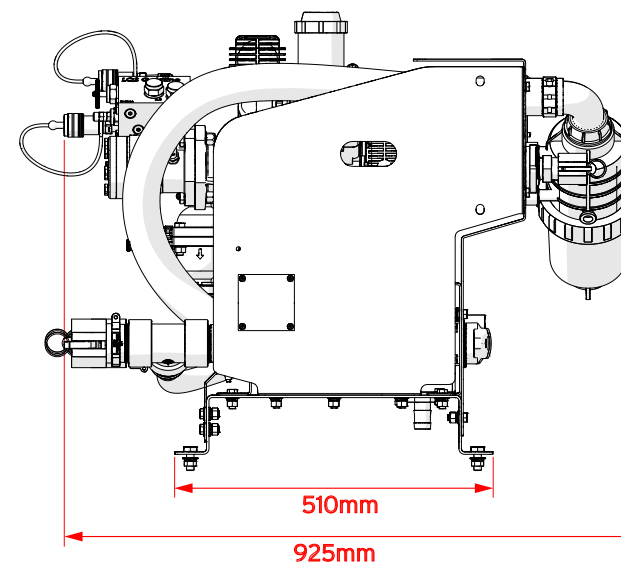
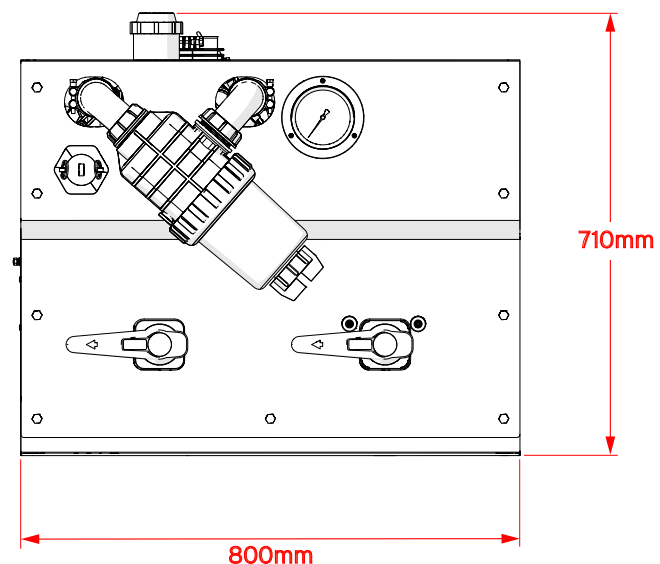
Displacement per Revolution	50cc
Max Operating Speed	550 rpm
Max Hydraulic Pressure	1500 psi
Max Hydraulic Flowrate	30 L/min, 7.9 US Ga/min, 6.6 Imp. Ga/min

ELECTRICAL

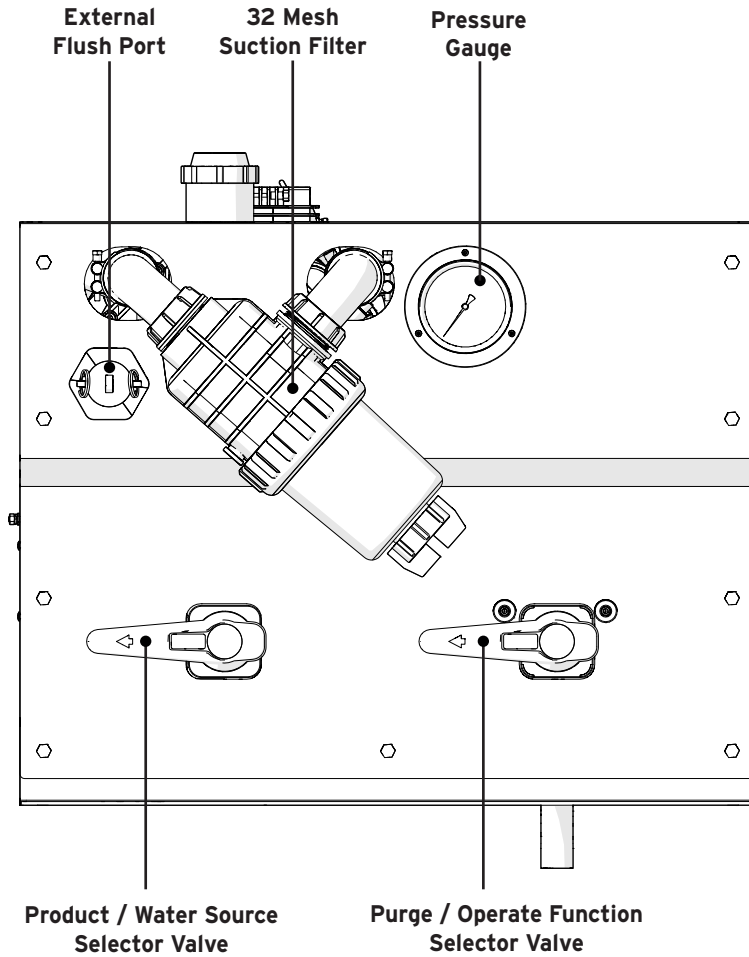
Nominal Voltage	12V DC
Maximum Current	1.3A
Flowmeter Calibration	82 Pulses/L 310 Pulses/US gal 373 Pulses/imp gal
Pump Speed Sensor	36 pulses/revolution
Pressure Sensor	5mV/kPa 34.5mV/psi

MODULE INFORMATION

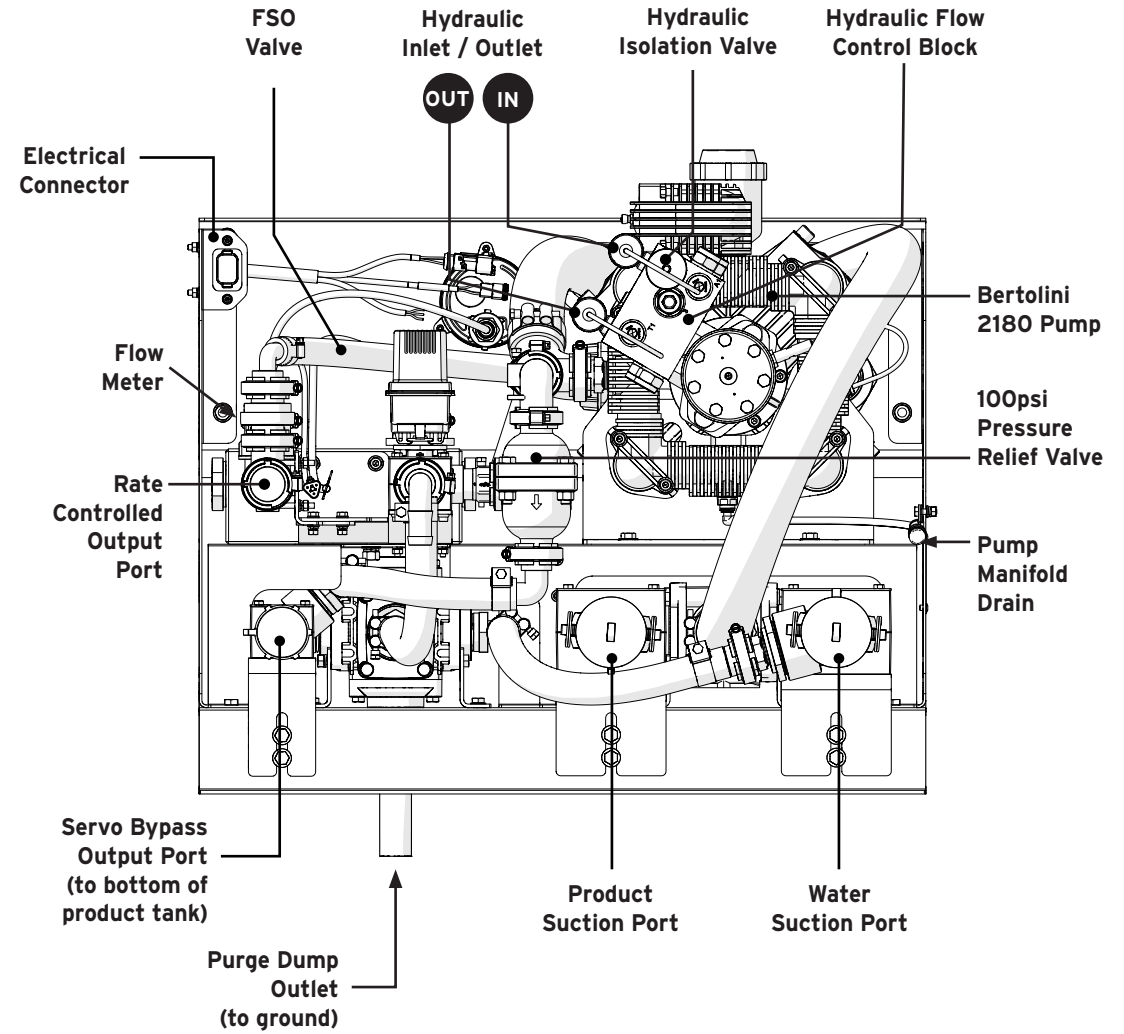
Unit Weight	121Kg
Safe Operating Range	1-5.5 bar 14-80psi
Flow Control Range	7- 170 L/min 2- 44 Gal/min



MODULE COMPONENTS

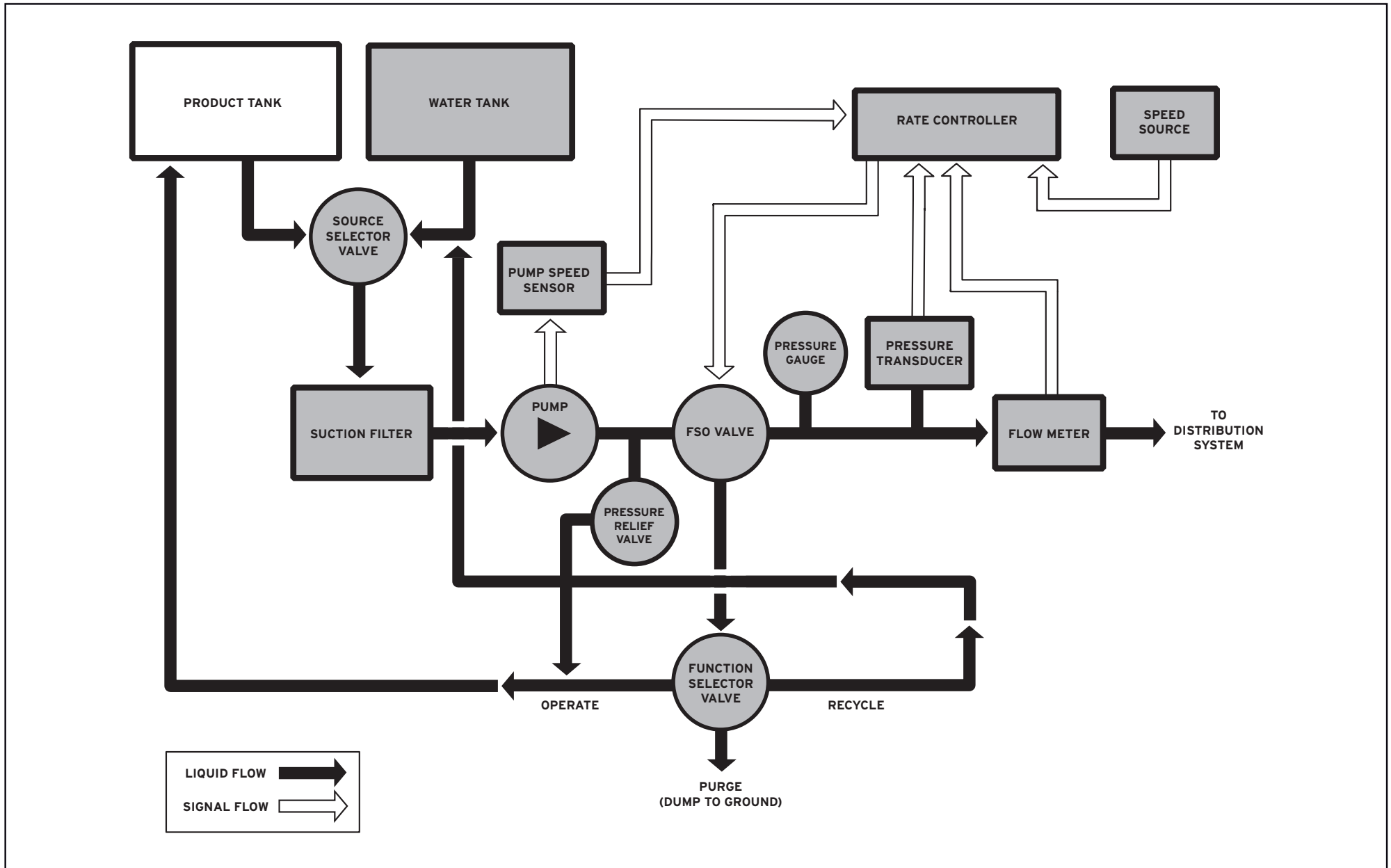


FRONT VIEW



BACK VIEW

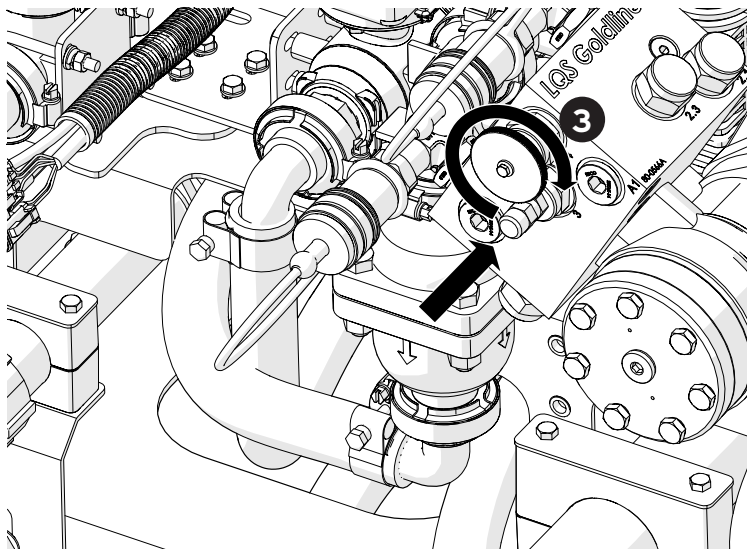
GEN 5 180 SYSTEM LAYOUT



CHECK AND ADJUST PUMP SPEED

Pumps are factory set to 420 RPM. If lower or higher flow is required, control block can be adjusted to set maximum pump speed.

1. Configure controller to show pump speed on screen. Sensor generates 36 pulses/revolution.
2. Ensure selected source tank contains water or liquid product.
3. Ensure isolation valve is rotated fully clockwise.
4. Apply hydraulic power to pump.
5. Check pump speed on the display screen.
6. Remove 1/2" cap from control block.
7. Loosen 9/16" lock nut.
8. Use 3/16" Allen key to adjust speed - anti-clockwise to increase
9. Set speed within range MIN 300 RPM - MAX 550 RPM
10. If hydraulic oil is cold MAX RPM is 500.
11. Tighten lock nut. Replace and tighten cap



TEST OPERATION

- Run system with clean water to verify rate control for target application range.
- Check all distribution system outlets are working. Clear any blockages.
- Refer to next section of this document for instructions.

CALIBRATE FLOWMETER

- To calibrate flow meter, apply a known amount of liquid and compare actual volume applied with control system.
- You can use a full tank or an amount between marked levels on the tank. Alternatively, measure amount delivered out of a number of outlets for 1 minute and calculate equivalent for all outlets.
- Calculate the new calibration factor with the following:

$$\text{New Cal Factor} = \frac{\text{Current Cal Factor} \times \text{Volume Applied (controller display)}}{\text{Volume Applied (measured)}}$$



NOTE: Pump will not run at full speed unless isolation valve is rotated fully clockwise.



NOTE: Liquid product & water calibrations will normally be different.



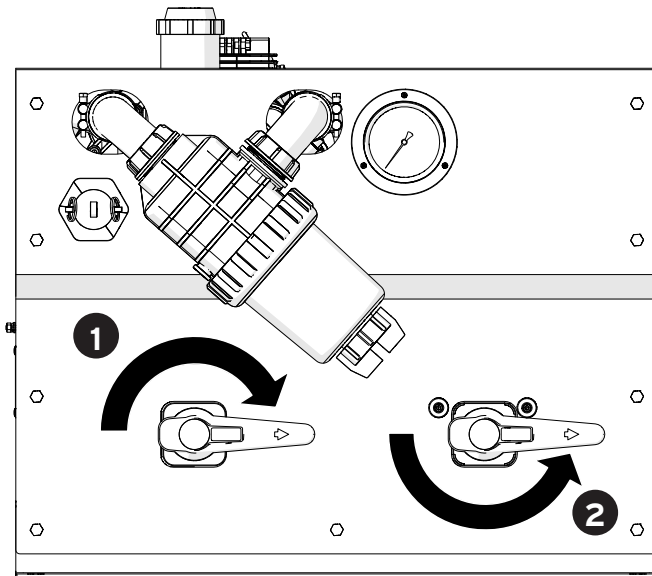
CAUTION: Pump may run up to 50 RPM faster when hydraulic oil temperature increases with use so allow for this when setting up with cold oil.



CAUTION: Higher pump speed will deliver greater liquid flow for application and tank agitation but do not exceed the maximum specified speed.

OPERATE SYSTEM

1. Turn Source Selector Valve to **PRODUCT**
2. Turn Function Selector Valve to **OPERATE**
3. Setup application rates via the Display
4. Start hydraulic flow to pump
5. Enable product application via the Display



MONITORING

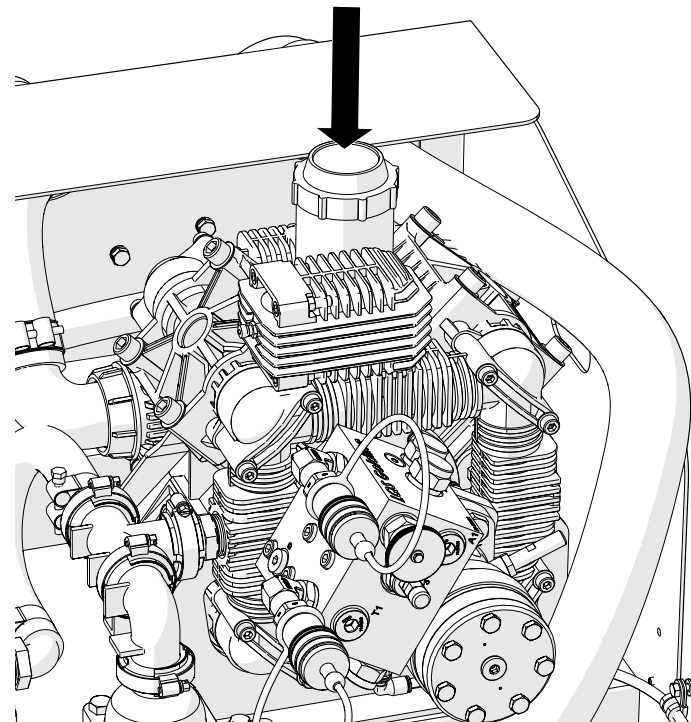
Monitor via Display

- Tank Level
- Changes in operating pressure
- Stability of Application Rate

CHECK PUMP OIL LEVEL

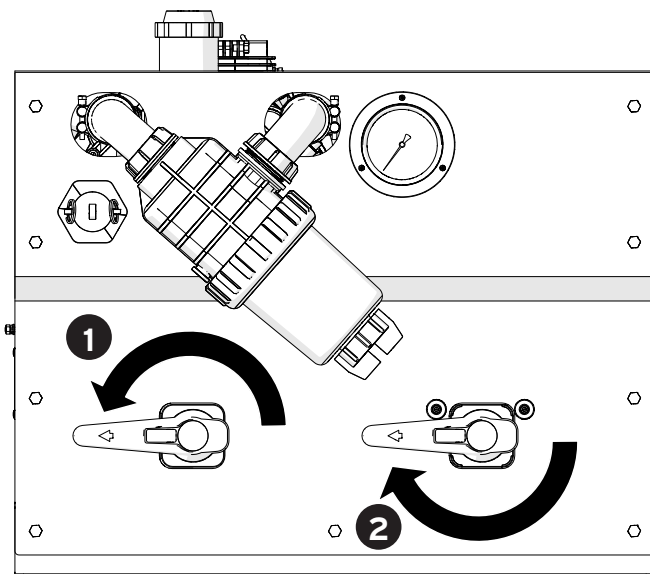
- Top up with SAE30 oil.
- If oil is discoloured, replace broken diaphragms.
- If reservoir is empty, replace worn shaft seal.

Refer to Bertolini pump manual for instructions.



FLUSH SYSTEM (STATIC)

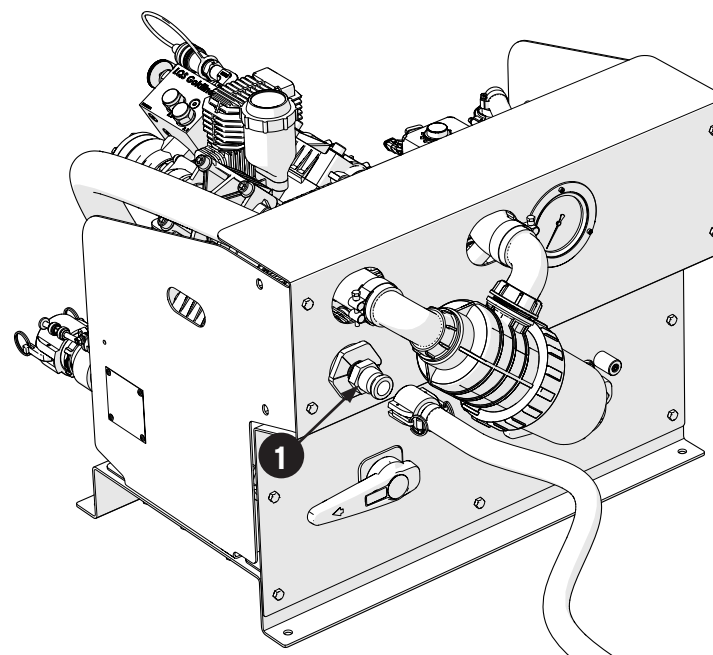
1. Turn Source Selector Valve to **WATER**
2. Turn Function Selector Valve to **PURGE**
3. Switch on all Sections in Controller
4. Start Pump
5. Run System in Controller Test Mode < 550kPa, 80psi
6. Check **ALL** outlets are flowing. Clear blockages.



CAUTION: Flushing System at pressure above 5.5 bar (80 psi) may dilute product tank with water. With a Section Control system, ensure all sections are switched on before flushing. Otherwise water will flow back into product tank. Liquid will flow from the purge dump line when moving function selector valve from "Operate" to "Purge". Keep feet clear.

FLUSH DISTRIBUTION SYSTEM (MANUAL)

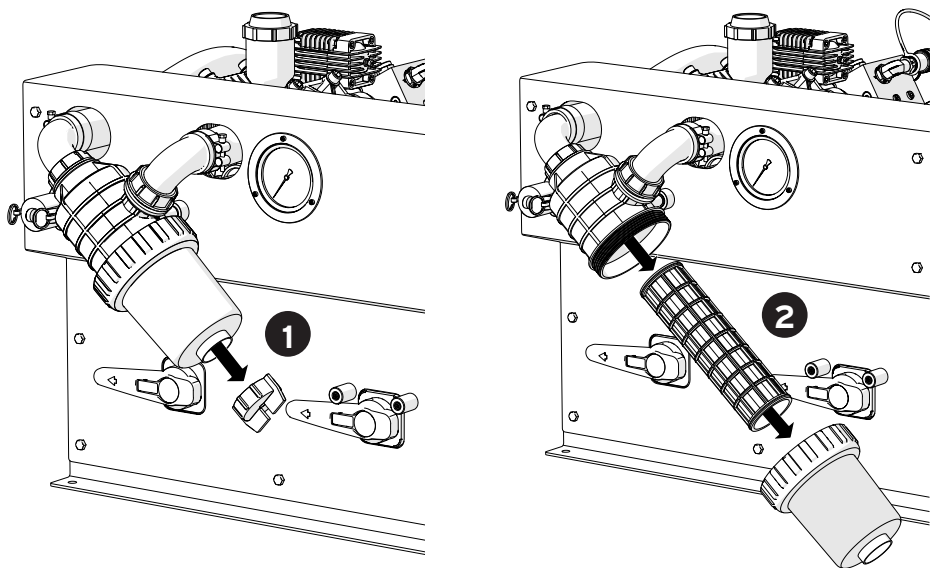
1. Connect to clean water
2. Switch on all Sections in Controller
3. Pump water < 550kPa, 80psi
4. Check ALL outlets are flowing. Clear blockages.



NOTE: A daily System Flush is good practice to keep system in optimal condition.

CHECK & CLEAN SUCTION FILTER

1. Unscrew plug to drain liquid from bowl
2. Unscrew fly nut to remove bowl
3. Clean screen. Replace if damaged
4. Check O-rings. Replace if damaged



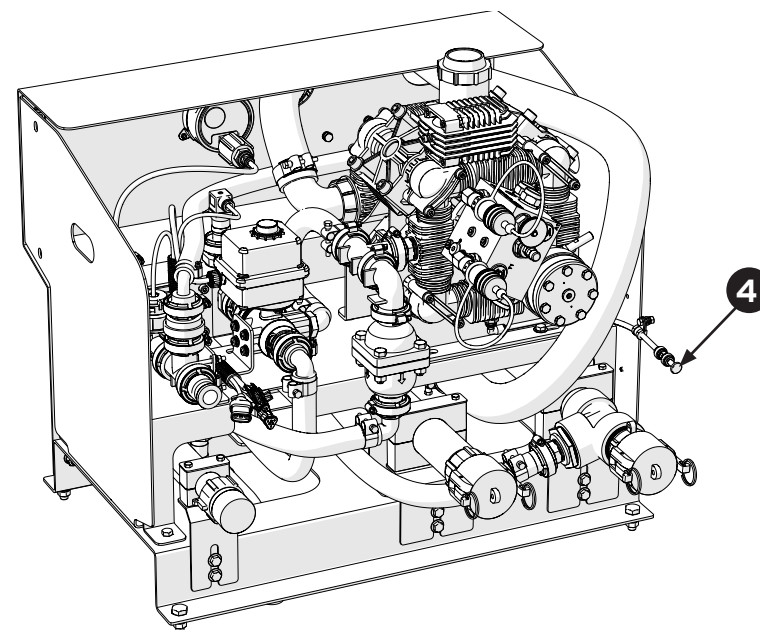
WARNING: Liquid will escape from the filter during this process. Ensure suitable protective gloves and clothing are worn when performing this task.



CAUTION: It is important when reassembling the suction filter that the screen bowl assembly be re-located correctly to the filter body. The pin location is crucial to operation of the filter. The pin activates a valve that will prevent the pump from sucking liquid if it is not seated correctly.

SHUTDOWN

1. Empty & Rinse Product Tank
2. Flush System
3. In freezing climates Flush System with Antifreeze
4. Remove Pump Manifold Drain Plug
5. Turn Function Selector Valve to PURGE TO GROUND



PUMP COMPONENTS

BE-62.0040.00.ADS
Duramax Diaphragm for 2180 pump



BE-28.9884.97.3
Set of 8 valves + 4 'O rings' for Bertolini 2180 pump



LQS-2180-EH PUMP
LQS Enhanced 2180 Pump



SELECTOR VALVES

AG-453426A77
2" 3-Way Ball Valve



AG-453055A55
1-1/4" 5-Way Ball Valve



SUCTION FILTER

AG-3172472
2" Short 32 mesh Suction Filter



AG-3172002.030
Short 2" Suction Filter 32 Mesh Screen



VALVE SET COMPONENTS

LL03196
TeeJet 3-Way Valve



WK-531.0.13066880
Pressure Sensor



TJ-57-10100
TeeJet 801 Flowmeter



L03067
FSO Valve - 3-Way Flow 1" Valve



LL03003
Module Dual Scale Pressure Gauge Assembly (Kit includes fixings)



www.liquidnetworks.com.au

